

4-WHEELED BINS MGB 1100L FLAT LID

LID IN LID (FL LIL) IN ACCORDANCE WITH EN 840



EASY FILLING
THROUGH LIGHTWEIGHT SMALLER LID

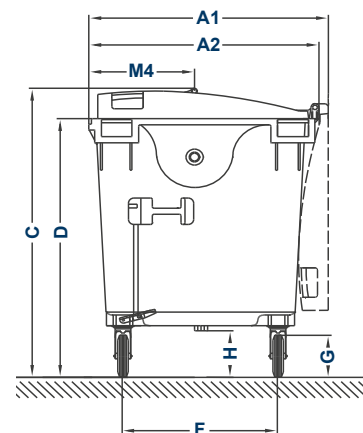
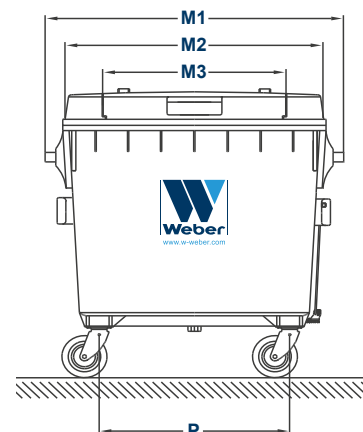
- // LID IN LID
- // EASY FILLING
- // WIDE APERTURE



WEBER MGB 660L / 770L / 1100L

FLAT LID, LID IN LID (FL LIL) IN ACCORDANCE WITH EN 840

- Weber MGB manufactured from HDPE using the compact injection moulding method in accordance with EN 840-2
- simple exchange of the main lid and smaller lid
- stepped rim, reinforced by additional ribbing
- chip-nest for secure transponder placement
- galvanised metal parts (corrosion resistant)
- resistant to UV, cold, heat and chemicals
- optionally with lifting trunnions
- standard colours grey, green, blue and brown – other colours available on request



WEBER 4-WHEELED MGB FLAT LID (FL LIL)	660L FL LIL	770L FL LIL	1100L FL LIL
Nominal volume (l)	660	770	1100
Nominal payload (kg)	270	310	440
Empty weight ca. (kg)	38,0	41,4	48,4
A1 Total depth, lid open (mm)	845	840	1085
A2 Body, total depth (mm)	772	779	1065
C Total height (mm)	1265	1345	1340
D Body, height (mm)	1145	1235	1205
P/F Travelling gear, width (mm)	845/480	840/485	855/755
G Wheel Ø (mm)	160/200	160/200	200
H Ground clearance (mm)	190	190	200
M1 Width with lifting trunnions (mm)	1371	1371	1375
M2 Lid, width (mm)	1134	1134	1180
M3 Lid in lid, width / aperture (mm)	775/710	775/710	840/760
M4 Lid in lid, depth (mm)	375	375	430

Customer field 370 x 49 mm for all 4-wheeled bins
(customer name or blank)

We reserve the right to make dimensional and constructional alterations.

